



TR266

Mu-Metal shielded audio transformer

► Features

- Mu-Metal shielded
- 600 Ohm in- and output impedance
- 1 : 1 Transformation ratio
- 0.8 Hz to 100 kHz Bandwidth
- True isolation transformer
- Distortion free
- Low signal loss

► Applications

- All audio signal isolation purposes in highly polluted EMI environments



The AUDAC TR266 is a Super Shielded true isolation audio transformer, which is especially designed to be used in highly polluted EMI environments.

Hum in audio systems is usually caused by ground loops in the system. A common mode current will flow in a ground loop created by an electrical system that has grounds on different voltage potentials. This results in a 50 Hz hum in the audio signal. The most common method to solve these problems is an audio transformer.

The AUDAC TR266 audio isolation transformer with an in- and output impedance of 600 Ohm and a turns ratio of 1 : 1 and has a very wide bandwidth and very low distortion which ensure a non distorted bass response and non attenuated high frequency's.

Thanks to it's Mu-Metal shielding, it can guarantee the best performance in even the most EMI polluted environments.

Mu-Metal is a soft ferromagnetic material with a very high magnetic permeability. It consists of an alloy of Nickel, Iron, Copper and Molybdenum. Mu-Metal has a magnetic shielding effectiveness going from 100x up to 1000x higher than steel of equivalent thickness. It is especially good in 50/60hz type applications where all other shieldings fail.

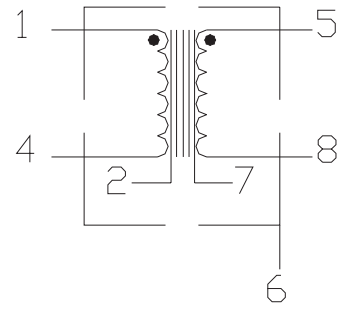
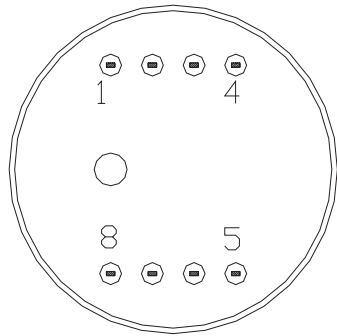
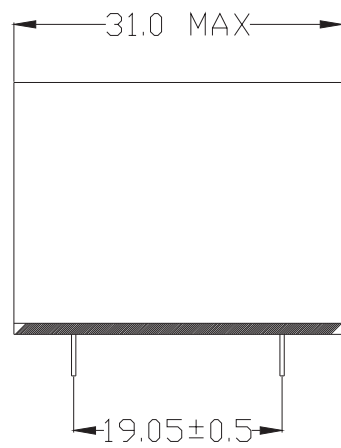
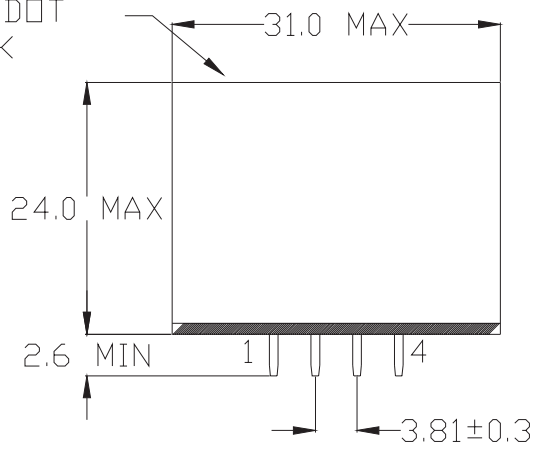
The TR266 super shielded transformer can be used for applications where the shielding of standard transformers becomes inadequate. A typical example of such an application is the broadcast system in railway stations.

► Specifications

SYSTEM SPECIFICATIONS	
Input Impedance	600 Ohm
Output Impedance	600 Ohm
Turns ratio	1 : 1
Bandwidth	0.8 Hz to 100 kHz
Typical distortion at 1 kHz	0.001%
High Frequency -3 dB Cutoff	105 kHz
Low Frequency -3 dB Cutoff	0.8 Hz
20 Hz Response (reference 1 kHz)	-0.09 dB
20 kHz Response (reference 1 kHz)	-0.10 dB
Maximum 20 Hz Input Level at 1% THD	+2 dBu (0.975V)
Maximum 50 Hz Input Level at 1% THD	+10 dBu (2.449V)
THD at 20 Hz and -20dBu (typical)	0.035%
THD at 1 kHz and -20dBu (typical)	<0.001%
PRODUCT FEATURES	
Dimensions (Diameter x Height)	31 x 24 mm
Weight net	
SHIPPING & ORDERING	
Shipping weight & volume	
*AUDAC reserves the right to change specifications without notice: this is part of our policy to continually improve our product	

► **Additional Information**

PIN1 DOT
BLACK



(VIEW BOTTOM) UNIT : mm